

VALVE SIZE	FLANGE TYPE	FACE TO FACE STANDARD	PORT Ø	A	B	C	D	E	F	G	STEM H A/H K THREAD	ISO MOUNTING	WEIGHT Kg	
15mm	CL150	ANSI B16.10	14.0	108.0	52.5	23.27 23.01	17.8 16.6	10.7 10.2	100.3	155.0	5,54 5,46	3/8"-24 UNF	ISO F03 4 x M5x8.0 DEEP ON 36.0 PCD 24.98 DIA. MAX. SPIGOT	1.8
	CL300	ANSI B16.10	14.0	140.0									2.2	

VALVE SIZE	FLANGE TYPE	FACE TO FACE STANDARD	PORT Ø	A	B	C	D	E	F	G	STEM H A/H K THREAD	ISO MOUNTING	WEIGHT Kg	
20mm	CL150	ANSI B16.10	20.3	117.0	57.0	32.34 32.08	23.9 22.7	14.7 14.2	113.4	168.0	7,54 7,47	7/16"-20 UNF	ISO F04 4 x M5x9.0 DEEP ON 42.0 PCD 29.98 DIA. MAX. SPIGOT	2.5
	CL300	ANSI B16.10	20.3	152.0									3.6	

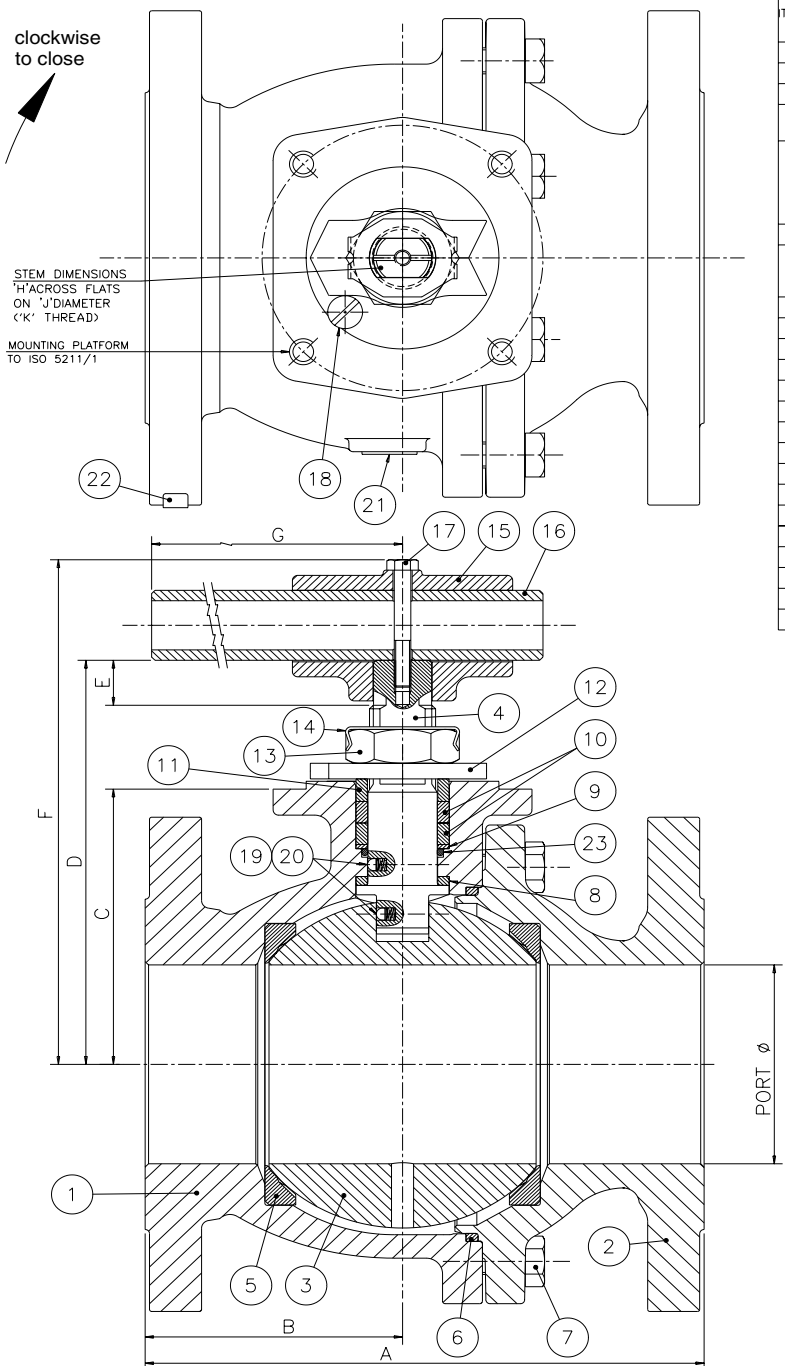
VALVE SIZE	FLANGE TYPE	FACE TO FACE STANDARD	PORT Ø	A	B	C	D	E	F	G	STEM H A/H K THREAD	ISO MOUNTING	WEIGHT Kg	
25mm	CL150	ANSI B16.10	25.6	127.0	63.0	37.11 36.85	23.9 22.7	14.7 14.2	118.1	168.0	7,54 7,47	7/16"-20 UNF	ISO F04 4 x M5x9.0 DEEP ON 42.0 PCD 29.98 DIA. MAX. SPIGOT	3.2
	CL300	ANSI B16.10	25.3	165.0									4.7	

VALVE SIZE	FLANGE TYPE	FACE TO FACE STANDARD	PORT Ø	A	B	C	D	E	F	G	STEM H A/H K THREAD	ISO MOUNTING	WEIGHT Kg	
40mm	CL150	ANSI B16.10	38.4	165.0	68.0	48.76 48.50	29.7 28.6	17.5 17.0	134.5	193.0	8,71 8,64	9/16"-20 UNF	ISO F05 4 x M6x10.0 DEEP ON 50.0 PCD 34.98 DIA. MAX. SPIGOT	5.9
	CL300	ANSI B16.10	38.1	190.0									8.9	

ITEM No	DESCRIPTION	MATERIAL	QTY
1	BODY	STAINLESS STEEL ASTM A351 CF8M UNS J92900	1
2	INSERT	STAINLESS STEEL BS970 316S11/S13 UNS S31603	1
3	BALL	STAINLESS STEEL ASTM A351 CF8M	1
4	STEM	STAINLESS STEEL UNS S31603 OR ASTM A564 630 CONDA UNS S17400	1
5*	SEAT RING	T PTFE VIRGIN R PTFE 15% GLASS FILLED H PTFE 25% GLASS FILLED P FLUOROFILL REINFORCED	2
6*	BODY SEAL	PTFE VIRGIN	1
7*	THRUST SEAL PROTECTOR	PEEK	1
8*	THRUST SEAL	PTFE 25% GLASS FILLED	1
9*	GLAND PACKING	FLEXIBLE GRAPHITE	1
10	GLAND	STAINLESS STEEL 316	1
11*	DISC SPRINGS	STAINLESS STEEL BS2056 302S26	2
12*	GLAND NUT	ST. STEEL BS6105/ISO3056 A2-70. ZINC PLATED	1
13*	LOCKING CLIP	CARBON SPRING STEEL BS1449 Pt.1 CS70	1
14	WRENCH	STAINLESS STEEL BS1449 304S11/S15	1
15	WRENCH SLEEVE	VINYL PLASTISOL	1
16*	INTERNAL TOOTH WASHER	STAINLESS STEEL	1
17	WRENCH NUT	ST. STEEL BS6105/ISO3056 A2-70. ZINC PLATED	1
18	STOP PIN	STAINLESS STEEL UNS S31603	1
19	ANTI-STATIC PLUNGER	STAINLESS STEEL	1
20	ANTI-STATIC SPRING	STAINLESS STEEL BS5570 302S25	1
21	IDENT PLATE	STAINLESS STEEL BS1449 304S11/S15	1
22	BODY PLATE	STAINLESS STEEL BS1449 304S11/S15	1

NOTES:
 1. OMIT ITEMS 14,15,16,17 & 18 WHEN VALVE ACTUATED.
 2. ITEMS MARKED * SUPPLIED IN REPAIR KIT.
 3. DRAWING SHOWS 40MM VALVE WITH CL150 FLANGES/ANSI B16.10 LENGTH
 4. SIZES 15 - 25mm VALVES HAVE HEXAGONAL INSERT DRIVES.

819/829 15-40mm



ITEM No	DESCRIPTION	MATERIAL
1	BODY	STAINLESS STEEL ASTM A351 CF8M
2	CONNECTOR	STAINLESS STEEL ASTM A351 CF8M
3	BALL	STAINLESS STEEL ASTM A351 CF8M
4	STEM	STAINLESS STEEL BS970 316S31/S33 OR ASTM A479 316 OR ASTM A276 316 CONDA
5	SEAT RING *	T PTFE VIRGIN R PTFE 15% GLASS FILLED H PTFE 25% GLASS FILLED P FLUOROFILL REINFORCED
6	BODY SEAL *	FLEXIBLE GRAPHITE (PTFE COATED)
7	BODY BOLTS (SEE NOTE 5)	STAINLESS STEEL BS4882 ASTM A193M Class 2 BOLTS: M8BMX NUTS: M8MX BOLTS: B8M NUTS: A194MB8M
8	THRUST SEAL *	PTFE 25% GLASS FILLED
9	STEM LOCATION WASHER	STAINLESS STEEL BS1449 PL.2 316S31/S33
10	GLAND PACKING *	FLEXIBLE GRAPHITE
11	GLAND	STAINLESS STEEL 316
12	INDICATOR STOP/SPACER	STAINLESS STEEL BS1449 PL.2 316S31/S33
13	STEM NUT	STAINLESS STEEL BS6105/A4-70(ZINC PLATED)
14	LOCKING CLIP *	CARBON SPRING STEEL BS1449 PL.1 CS70 ZINC PLATED
15	WRENCH HEAD	CARBON STEEL(RUST PROOFED)
16	WRENCH HANDLE	CARBON STEEL(RUST PROOFED)
17	WRENCH BOLT	STAINLESS STEEL
18	STOP PIN	STAINLESS STEEL
19	ANTI-STATIC PLUNGER	STAINLESS STEEL
20	ANTI-STATIC SPRING	NICKEL ALLOY WIRE BS3075 NA14
21	IDENT PLATE	STAINLESS STEEL
22	BODY PLATE	STAINLESS STEEL
23	SECONDARY STEM SEAL *	PTFE VIRGIN (RUBBER O-RING OPTIONAL)

- 150mm CL300 & PN40; AND 200mm VALVES ARE GEARBOX OPERATED. OMIT ITEMS 15, 16, 17 & 18.
 - OMIT ITEMS 15, 16, 17 & 18 WHEN VALVE ACTUATED.
 - WRENCH HANDLE MAY BE FITTED IN MID POSITION.
 - ITEMS MARKED * SUPPLIED IN REPAIR KIT.
 - BODY BOLTING:
50mm & 200mm ALL VARIATIONS } STUDS & NUTS.
100mm CL150 ANSI B16.10
- ALL OTHERS :- HEX. HEADED BOLTS.

819/829 50-200mm

VALVE SIZE	FLANGE TYPE	FACE TO FACE STANDARD	PORT Ø	A	B	C	D	E	F	G	STEM			ISO MOUNTING
				H	A/FU	Ø	K	THREAD						
50mm	CL150	ANSI B16.10	51.2	177.8	73.7	87.3	129.9	16.0 MIN	156.2	225.0	14.0	19.97	M20x1.5p	ISO F07 4xM8 ON 70.0 PCD
	PN16	ANSI B16.10		203.0	73.7									54.97 DIA. MAX. SPIGOT
	CL150	BS2080 **	51.0	203.0	73.7						19.73			
	CL300	ANSI B16.10		216.0	73.7									

VALVE SIZE	FLANGE TYPE	FACE TO FACE STANDARD	PORT Ø	A	B	C	D	E	F	G	STEM			ISO MOUNTING
				H	A/FU	Ø	K	THREAD						
80mm	CL150	ANSI B16.10	76.7	203.0	93.5	112.0	161.8	17.6 16.8	200.7	350.0	15.1	21.2	M24x2.0p	ISO F07 4xM8 ON 70.0 PCD
	PN16	ANSI B16.10		203.0	93.5									54.97 DIA. MAX. SPIGOT
	CL150	BS2080 **	76.2	241.0	93.5						19.3	27.0	M30x2.0p	
	CL300	ANSI B16.10		283.0	93.5						119.5	173.9	21.8 21.0	213.8

VALVE SIZE	FLANGE TYPE	FACE TO FACE STANDARD	PORT Ø	A	B	C	D	E	F	G	STEM			ISO MOUNTING
				H	A/FU	Ø	K	THREAD						
100mm	CL150	ANSI B16.10	102.5	228.6	117.0	140.3	194.8	21.8 21.0	234.8	557.0	19.3	27.2	M30x2.0p	ISO F10 4xM10 ON 102.0 PCD
	PN16	ANSI B16.10		228.6	117.0									69.97 DIA. MAX. SPIGOT
	CL150	BS2080 **	102.0	305.0	117.0						19.3	27.0	M30x2.0p	
	CL300	ANSI B16.10		305.0	132.0						146.8	218.4	29.0 28.2	275.4

VALVE SIZE	FLANGE TYPE	FACE TO FACE STANDARD	PORT Ø	A	B	C	D	E	F	G	STEM			ISO MOUNTING		
				H	A/FU	Ø	K	THREAD								
150mm	CL150	ANSI B16.10	151.2	394.0	178.7	182.0	253.4	29.0 28.2	310.4	850.0	26.6	33.2	M36x2.0p	ISO F12 4xM12 ON 125.0 PCD		
	PN16	ANSI B16.10		394.0	178.7									84.97 DIA. MAX. SPIGOT		
	CL150	BS2080 ***	150.8	403.0	178.7						30.0 29.2	327.0	850.0	30.4 30.3	37.9 37.7	M42x3.0p
	CL300	ANSI B16.10		403.0	178.7						194.2	270.0	30.0 29.2	327.0	850.0	30.4 30.3

VALVE SIZE	FLANGE TYPE	FACE TO FACE STANDARD	PORT Ø	A	B	C	D	E	F	G	STEM			ISO MOUNTING
				H	A/FU	Ø	K	THREAD						
200mm	CL150	ANSI B16.10	203.5 203.0	457.0	205.7	237.0	313.0	30.0 29.2	-	-	30.4 30.3	37.9 37.7	M42x3.0p	ISO F14 4xM16 ON 140.0 PCD 99.97 DIA. MAX. SPIGOT
	CL300	BS2080		502.0	231.2	255.8	342.6	36.4 35.6	-	-	34.5 34.4	42.6 42.2	M48x3.0p	ISO F16 4xM20 ON 165.0 PCD 129.96 DIA. MAX. SPIGOT

** CL150 FLANGED VALVES WITH BS2080 LENGTH ARE A NON-PREFERRED OPTION

*** DN150 CL150 FLANGES EQUIVALENT TO PN16.